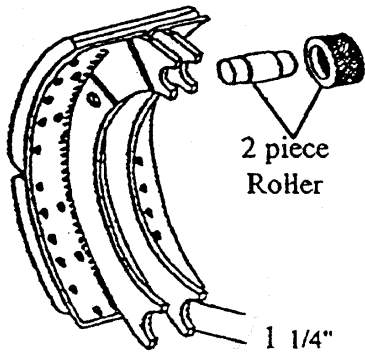


STANDARD

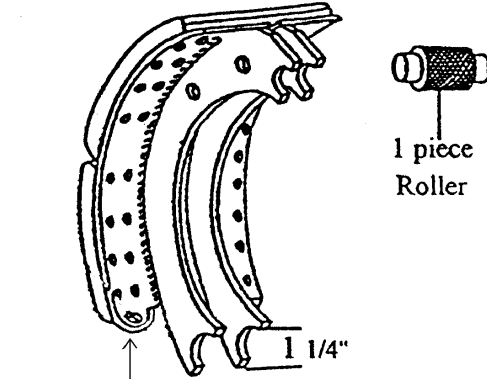


FMSI 4311



Use Kit # **CP4311EHD**

EXTENDED SERVICE (ES)



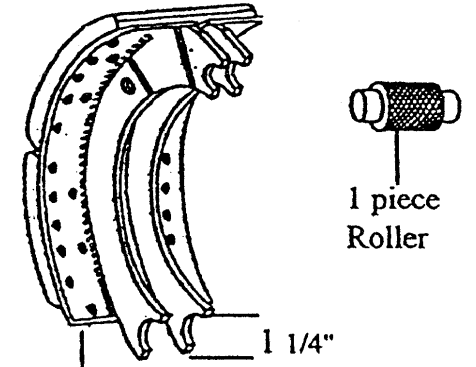
NOTE DISTINCTIVE "BENT-DOWN" TABS FOR ATTACHING RETAINER SPRINGS.

FMSI 4709



Use Kit # **CP4709ES**

EXTENDED SERVICE 2nd GENERATION (ESII)

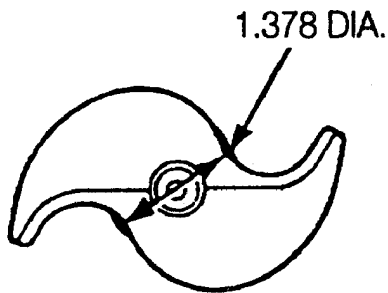


SHOE TABLE (NO TAB)

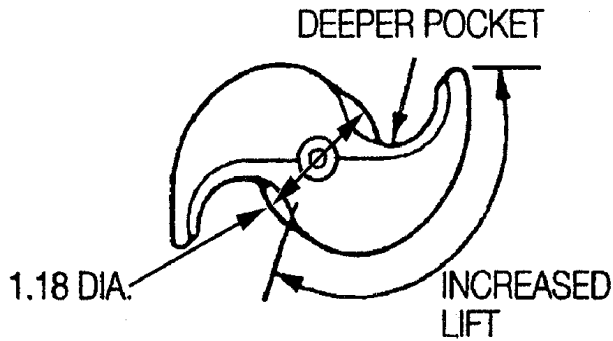
FMSI 4709



Use Kit # **CP4709ES2**



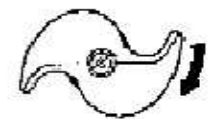
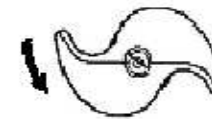
STANDARD CAM



EXTENDED LIFE CAM

Left Hand Cam

Right Hand Cam



Left and right is used to identify the direction of rotation

Left Hand and Right Hand **does not** establish which side of the vehicle the cam goes on.

Artic Truck Parts & Service

EDSON

4720 ~ 2nd Ave.

Edson, AB., T7E 1C1

Phone (780) 723-6060

Toll Free 1-877-723-6060

Fax (780) 723-2060

After Hours (780) 723-1260

EDMONTON

63 Strathmoor Drive.

Sherwood Park, AB., T8H 0C1

Phone (780) 416-4444

Toll Free 1-800-667-4327

Fax (780) 416-4428

CALGARY

7034 ~ 30 Street SE.

Calgary, AB., T2C 1N9

Phone (403) 720-2910

Toll Free 1-800-661-1251

Fax (403) 720-3063

RED DEER

#3 ~ 6540 ~ 71 Street

Red Deer AB., T4P 3Y7

Phone (403) 348-0999

Toll Free 1-888-348-0999

Fax (403) 348-5198

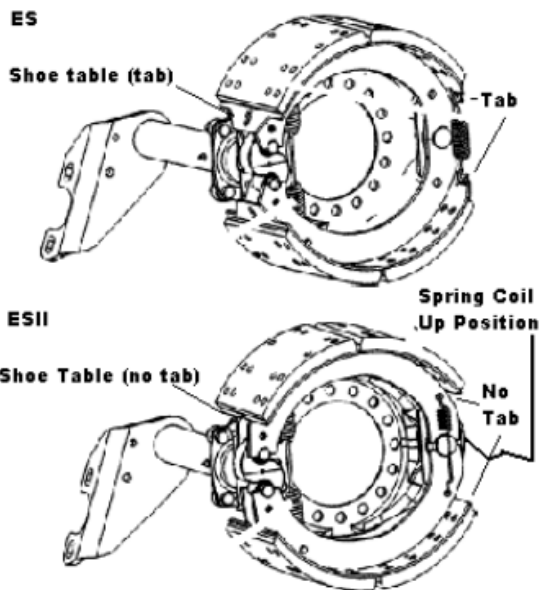
<http://www.artictruckparts.com/>

Tech Tips & Information

Artic Truck Parts & Service disclaims any liability or responsibility arising out of any inaccuracies of this information.



16.5" Drive Axle & Trailer Brakes



SERVICE PROCEDURE

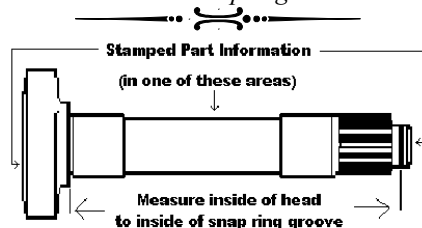
ES-II Retaining Spring Installation

The installation of the retaining spring does not differ significantly from the current procedure.

The retainer spring is installed into the holes in the shoe webs instead of the tabs on the shoe table. Its recommended that the short end of the spring (coil end) be installed in the upward position on the top shoe,

- ✓ Position upper shoe on anchor pin.
- ✓ Hook the retaining springs to the hole in the web of the upper shoe, hook with short end of spring up (coil end)
- ✓ Hook the opposite end of the spring into the hole of the lower shoe web.
- ✓ Rotate lower shoe into position on spider.
- ✓ Install return spring and rollers.

Refer to illustration of ES-II shoe for positioning of retainer springs.



<http://artic-tech-tips.tripod.com/>